



SUNPOWER TECHNOLOGY CORP.
 33485 Western Ave., Union City, CA 94587, United States of America
 TEL: (510) 489-5088 FAX: (510) 489-8966
 http://www.sunpower-usa.com
 E-mail: sales@sunpower-usa.com

SPU-300P-IDx Series

300W, Dual Output
Active P.F.C Function



203 x 114 x 50.4 mm
 7.99 x 4.49 x 1.99 inch



Features:

- * Universal AC input with active power factor correction, P.F.>0.95
- * V1 · V2 outputs are isolated
- * Power ON with LED indicator
- * Built-in EMI filter, low ripple noise
- * Over voltage protection
- * Over load & short circuit protection
- * V1 output voltage $\pm 10\%$ adjustment
- * Output voltage remote sense
- * Over temperature protection (Optional)
- * 100% full load burn-in test
- * UL, cUL, TUV, CB, CE standard
- * 2 years warranty

Specification:

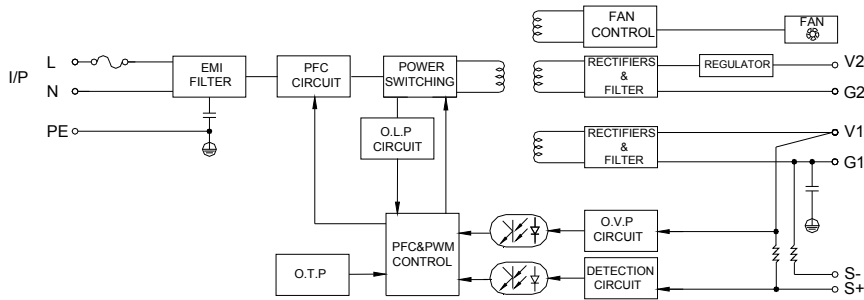
INPUT	Voltage	90V ~ 264VAC universal full range or 127V ~ 375VDC.					
	Frequency	47 ----- 63 Hz					
	Current	<4.2A@100VAC input, full load condition					
	Inrush Current	<35A@115V , <70A@230V AC input. Cold start at 25°C ambient					
	Leakage Current	<1.0mA@264V AC input					
	Power Factor	PF > 0.95					
OUTPUT	MODEL No.	SPU-300P-ID5		SPU-300P-ID6		SPU-300P-ID7	
	Voltage	V1	V2	V1	V2	V1	V2
		12V	5V	24V	5V	48V	5V
	Min Load	1.5A	0A	0.8A	0A	0.4A	0A
	Max Load	25A	6A	12.5A	6A	6.3A	6A
	Output Tolerance ②	$\pm 1\%$	$\pm 5\%$	$\pm 1\%$	$\pm 5\%$	$\pm 1\%$	$\pm 5\%$
	Ripple Noise MAX. ③	120mV	70mV	200mV	70mV	240mV	70mV
	Efficiency (TYP.)	82%		84%		85%	
Output MAX.	300W		300W		302W		
PROTECTION	Over Voltage	13.8 ~ 16.8V	---	27.6 ~ 33.6V	---	55.2 ~ 67.2V	---
		Shutdown and latch off, recover after re-start up.					
	Over Load & Short Circuit	When power supply over 105%~ 150% max load or short circuit acted, power supply will be shutdown and recover automatically after the fault is removed.					
	Over temperature	Optional, Over 95°C \pm 5°C Shutdown, recovers automatically after fault condition has been removed.					
ELEC. CHAR.	Rise time	<30mS					
	Hold up time	>20mS@230V, full load condition					
	Setup time	<2 Sec@100 ~ 240V AC					
ENVIRONMENT	Remote sensing	(RS+, RS-).					
	Temperature ④	Operating: -20 ~ +70°C ; De-rating: 45 ~ 70°C : 2.5%/°C ; Storage: -40 ~ +85°C					
	Humidity	Operating: 20% ~ 90% RH (non condensing) ; Storage: 10% ~ 95% RH (non condensing)					
SAFETY	Withstand voltage	I/P-O/P:3KVAC, I/P-PE:1.5KVAC, O/P-PE:0.5KVAC, 1minute					
	Isolation resistance	I/P-O/P, I/P-PE, O/P-PE > 100M Ω /500VDC at 25°C / 70% RH					
	Safety standard	UL 60950-1 2 nd , CSA C22.2 No. 60950-1-07 1 st , TUV EN 60950-1:2006, IEC 60950-1:2005, standard.					
EMC	EMI	EN 55022 CLASS B · FCC CFR 47 PART 15 CLASS B · CNS 13438 CLASS B.					
	EMS	Compliance to EN61000-3-2 CLASS D, EN61000-3-3 EN 55024 : EN 61000-4-2,3,4,5,6,8,11					
OTHERS	Cooling	Forced airflow cooling with DC fan.					
	M.T.B.F.	___ K hours					
	Dimension	203 x 114 x 50.5 mm (L*W*H)					
	Packing	N.W.: ___ Kg / 1pc; 15 pcs / 1.38 CUFT / 1 CTN					
NOTE		① All measurements which not mentioned are based on 230VAC input, output Max at ambient 25°C / 70%RH					
		② Output tolerance included set up voltage, line regulation and load regulation. The regulation is measured between 20%-100% max load of each output, Total output t must under output Max .					
		③ Ripple & noise are measured at 100~254VAC input with 0~50°C condition and 20MHz of bandwidth by using a 10" ~15" twisted pair-wire terminated with a 0.1uF & a 47uF parallel capacitor.					
		④ The operating temperature shall follow the de-rating curve in spec The output load may be requested for decreasing as de-rating curve in spec when low input voltage is under 100VAC..					
		⑤ The power supply is considered a component of end-equipment. The end-equipment must be re-confirmed whether comply with EMC directives.					



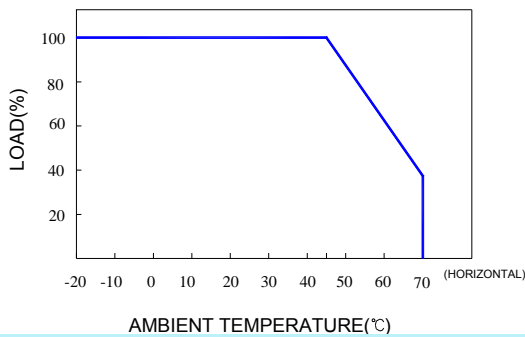
SUNPOWER TECHNOLOGY CORP.
 33485 Western Ave., Union City, CA 94587, United States of America
 TEL: (510) 489-5088 FAX: (510) 489-8966
 http://www.sunpower-usa.com
 E-mail: sales@sunpower-usa.com

SPU-300P-IDx Series

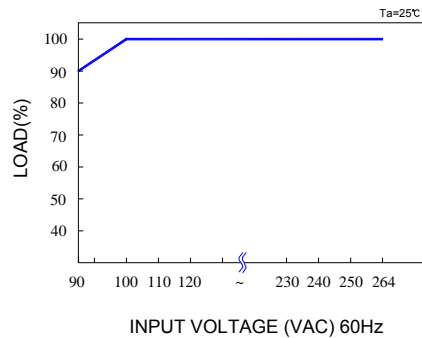
Block Diagram : PD5-1



De-rating Curve :

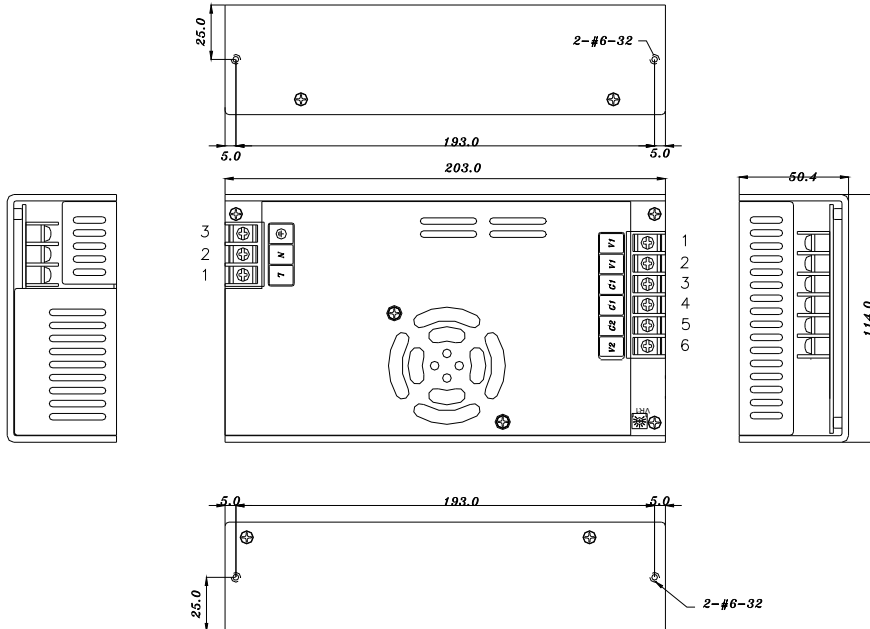


Output De-rating Vs Input Voltage :



Dimension:

(Unit: mm)



NOTES:

TERMINAL BLOCK: I/P:3P, P=9.5mm

MODEL No.	1	2	3
SPU-300P-IDx	L	N	PE

TERMINAL BLOCK: O/P:6P, P=9.5mm

MODEL No.	1	2	3	4	5	6
SPU-300P-IDx	V1	V1	G1	G1	G2	V2