



SUNPOWER TECHNOLOGY CORP.
 33485 Western Ave., Union City, CA 94587, United States of America
 TEL: (510) 489-5088 FAX: (510) 489-8966
 http://www.sunpower-usa.com
 E-mail: sales@sunpower-usa.com

SPU-300P-Qx Series

**300W, Quad Output
 Active P.F.C Function**



203 x 114 x 50.5 mm
 7.99 x 4.49 x 1.99 inch

Features:

- * Universal AC input with active power factor correction, P.F.>0.95
- * Over voltage protection
- * Over load & short circuit protection
- * Over temperature protection (Optional)
- * 100% full load burn-in test
- * UL, cUL, TUV, CB, CE standard
- * 2 years warranty

Specification:

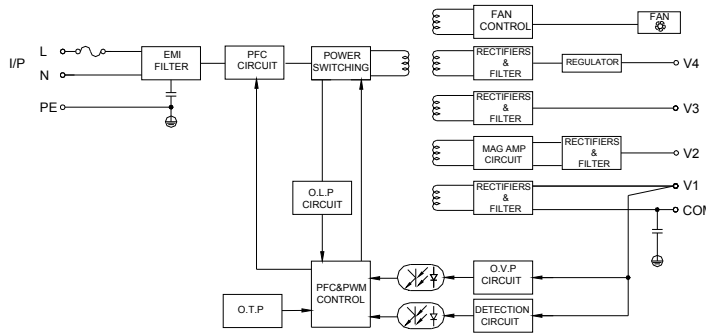
INPUT	Voltage	90V ~ 264VAC universal full range or 127V ~ 375VDC											
	Frequency	47 ~ 63 Hz											
	Current	<4.2A@100VAC input, full load condition											
	Inrush Current	<35A@115V , <70A@230V AC input. Cold start at 25°C ambient											
	Leakage Current	<1.0mA@264V AC input											
	Power Factor	PF > 0.95											
OUTPUT	MODEL No.	SPU-300P-Q1				SPU-300P-Q3				SPU-300P-Q4			
	Voltage	V1	V2	V3	V4	V1	V2	V3	V4	V1	V2	V3	V4
		5V	12V	-12V	-5V	5V	12V	24V	-12V	5V	15V	24V	-15V
	Min Load	3A	0.6A	0A	0A	3A	0.6A	0.3A	0A	3A	0.6A	0.3A	0A
	Max Load	25A	15A	1A	1A	25A	10A	5A	1A	25A	8A	5A	1A
	Output Tolerance ②	±3%	±3%	±6%	±5%	±3%	±3%	±6%	±5%	±3%	±3%	±6%	±5%
	Ripple Noise MAX. ③	70mV	120mV	150mV	100mV	70mV	120mV	200mV	150mV	70mV	150mV	200mV	150mV
	Efficiency (TYP.)	77%				79%				79%			
	Output MAX.	300W				300W				300W			
	MODEL No.	SPU-300P-Q5				SPU-300P-Q7				---			
	Voltage	V1	V3	V3	V4	V1	V2	V3	V4	---	---	---	---
		5V	3.3V	12V	-12V	5V	3.3V	24V	-12V	---	---	---	---
	Min Load	3A	0.5A	0.6A	0A	3A	0.5A	0.3A	0A	---	---	---	---
	Max Load	25A	20A	10A	1A	25A	20A	5A	1A	---	---	---	---
	Output Tolerance ②	±3%	±5%	±6%	±5%	±3%	±5%	±6%	±5%	---	---	---	---
	Ripple Noise MAX. ③	70mV	70mV	120mV	150mV	70mV	70mV	200mV	150mV	---	---	---	---
	Efficiency (TYP.)	76%				77%				---			
	Output MAX.	300W				300W				---			
Note	* SPU-300P-TxA is with V3, TxB is with V4												
PROTECTION	Over Voltage	V1 : 5.8 ~ 7.0V : Shutdown and latch off, recover after re-start up.											
	Over Load & Short Circuit	When power supply over 105%~ 150% max load or short circuit acted, power supply will be shutdown and recover automatically after the fault is removed.											
	Over temperature	Optional, Over 95°C ± 5°C Shutdown, recovers automatically after fault condition has been removed.											
ELEC. CHAR.	Rise time	<30mS											
	Hold up time	>20mS@230V											
	Setup time	<2 Sec@100 ~ 240V AC											
ENVIRONMENT	Temperature ④	Operating: -20 ~ +70°C ; De-rating: 45 ~ 70°C : 2.5%/°C ; Storage: -40 ~ +85°C											
	Humidity	Operating: 20% ~ 90% RH (non condensing) ; Storage: 10% ~ 95% RH (non condensing)											
SAFETY	Withstand voltage	I/P-O/P:3KVAC, I/P-PE:1.5KVAC, O/P-PE:0.5KVAC, 1minute											
	Isolation resistance	I/P-O/P, I/P-PE, O/P-PE >100MΩ/500VDC at 25°C / 70% RH											
EMC	Safety standard	UL 60950-1 2 nd , CSA C22.2 No. 60950-1-07 1 st , TUV EN 60950-1:2006, IEC 60950-1:2005, standard.											
	EMI	EN 55022 CLASS B · FCC CFR 47 PART 15 CLASS B · CNS 13438 CLASS B.											
	EMS	Compliance to EN61000-3-2 CLASS D, EN61000-3-3 EN 55024 : EN 61000-4-2,3,4,5,6,8,11											
OTHERS	Cooling	Forced airflow cooling with DC fan.											
	M.T.B.F.	___ K hours											
	Dimension	203 x 114 x 50.5 mm (L*W*H)											
	Packing	N.W.: ___ Kg / 1pc; 12 pcs / 1.38 CUFT / 1 CTN											
NOTE	①	All measurements which not mentioned are based on 230VAC input, output max at ambient 25°C / 70%RH											
	②	Output tolerance included set up voltage, line regulation and load regulation. The regulation is measured between 20%-100% max load of each output. Total output must under output Max .											
	③	Ripple & noise are measured at 100~254VAC input with 0~50°C condition and 20MHz of bandwidth by using a 10" ~15" twisted pair-wire terminated with a 0.1uF & a 47uF parallel capacitor.											
	④	The operating temperature shall follow the de-rating curve in spec The output load may be requested for decreasing as de-rating curve in spec when low input voltage is under 100VAC											
	⑤	The power supply is considered a component of end-equipment. The end-equipment must be re-confirmed whether comply with EMC directives.											



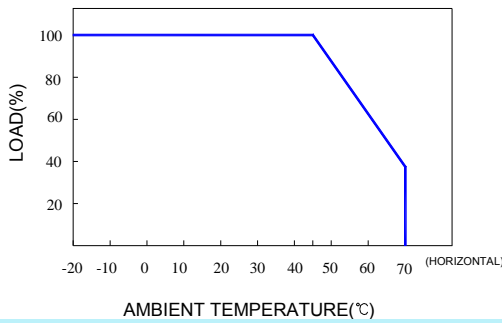
SUNPOWER TECHNOLOGY CORP.
 33485 Western Ave., Union City, CA 94587, United States of America
 TEL: (510) 489-5088 FAX: (510) 489-8966
 http://www.sunpower-usa.com
 E-mail: sales@sunpower-usa.com

SPU-300P-Qx Series

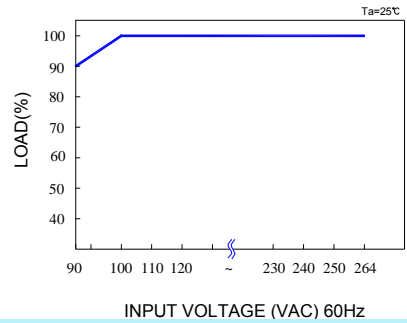
Block Diagram : PQ6-1



De-rating Curve :

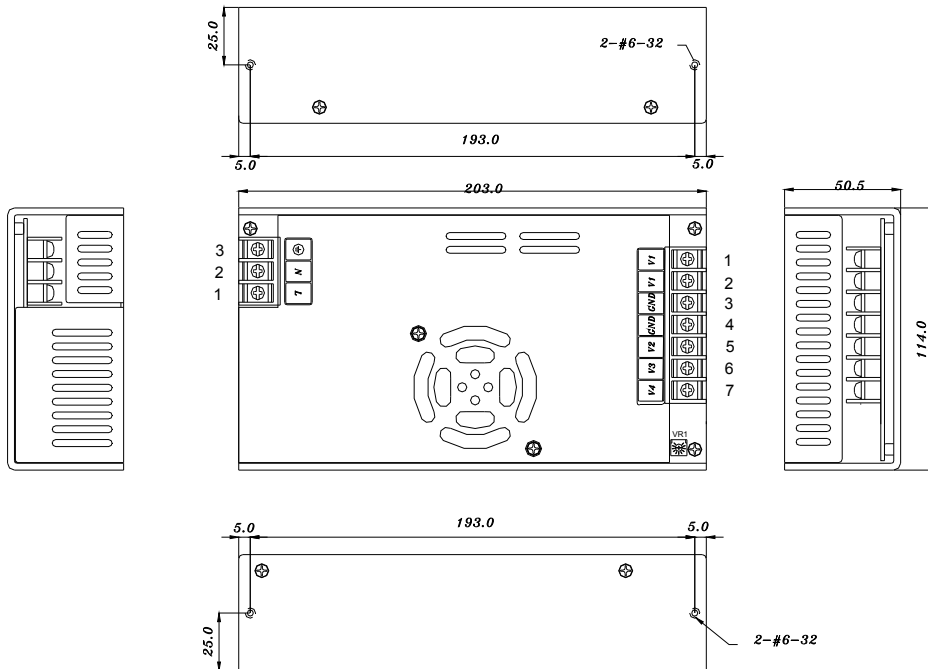


Output De-rating Vs Input Voltage :



Dimension:

(Unit: mm)



NOTES:

TERMINAL BLOCK: I/P=3P, P=9.5mm

MODEL No.	1	2	3
SPU-300P-Qx	L	N	PE

TERMINAL BLOCK: O/P:7P, P=11mm

MODEL No.	1	2	3	4	5	6	7
SPU-300P-Qx	V1	V1	GND	GND	V2	V3	V4