



SUNPOWER TECHNOLOGY CORP.
 33485 Western Ave., Union City, CA 94587, United States of America
 TEL: (510) 489-5088 FAX: (510) 489-8966
 http://www.sunpower-usa.com
 E-mail: sales@sunpower-usa.com

SDU-200M-Qx Series

200W, Quad Output



198 x 97 x 38 mm

7.8 x 3.82 x 1.50 inch



Features:

- * DC Input 19V ~ 72V
- * Input protection: fuse 20A/250V
- * Free air convection for 150W and 200W with 18CFM forced air
- * Input & output isolation
- * Input polarity reverse protection
- * Over load, over voltage & short circuit protection
- * With power good signal output
- * 100% full load burn-in test
- * Meet LVD standard
- * 2 years warranty

Specification:

INPUT	Voltage	DC 19V ~ 72V											
	Current	12.1A max at 24V DC input, full load condition											
OUTPUT	MODEL	SDU-200M-Q1				SDU-200M-Q3				SDU-200M-Q4			
	Voltage	V1	V2	V3	V4	V1	V2	V3	V4	V1	V2	V3	V4
		5V	12V	-12V	-5V	5V	12V	24V	-12V	5V	15V	24V	-15V
	Min Load	1.5A	0.3A	0A	0A	1.5A	0.5A	0.3A	0A	1.5A	0.5A	0.3A	0A
	Max Load	15A	9A	1A	1A	15A	6A	3A	1A	15A	5A	3A	1A
	Output Tolerance ②	±3%	±3%	±6%	±5%	±3%	±3%	±6%	±5%	±3%	±3%	±6%	±5%
	Ripple Noise MAX. ③	70mV	120mV	150mV	100mV	70mV	120mV	200mV	150mV	70mV	150mV	200mV	150mV
	Efficiency (TYP)	77%				79%				79%			
	Output MAX.	200W											
	MODEL	SDU-200M-Q5				SDU-200M-Q7				---			
	Voltage	V1	V2	V3	V4	V1	V2	V3	V4	---	---	---	---
		5V	3.3V	12V	-12V	5V	3.3V	24V	-12V	---	---	---	---
	Min Load	1.5A	0.5A	0.5A	0A	1.5A	0.5A	0.3A	0A	---	---	---	---
Max Load	15A	15A	6A	1A	15A	15A	3A	1A	---	---	---	---	
Output Tolerance ②	±3%	±5%	±6%	±5%	±3%	±5%	±6%	±5%	---	---	---	---	
Ripple Noise MAX. ③	70mV	100mV	120mV	150mV	70mV	100mV	200mV	150mV	---	---	---	---	
Efficiency (TYP)	76%				77%				---				
Output MAX.	200W												
PROTECTION	Over Voltage	V1 : 5.8 ~ 7.0V : Shutdown and latch off, recover after re-start up.											
PROTECTION	Over Load & Short Circuit	When power supply over 105%~ 150% max load or short circuit acted, power supply will be shutdown and recover automatically after the fault is removed.											
ELEC. CHAR	Rise time	<20mS											
ELEC. CHAR	Power good signal	Power on within 100~500ms, high level TTL signal release.											
ENVIRONMENT	Temperature ④	Operating: -20 ~ +70°C ; De-rating: 45 ~ 70°C : 2.5%/°C ; Storage: -40 ~ +85°C											
ENVIRONMENT	Humidity	Operating: 20% ~ 90% RH (non condensing) ; Storage: 10% ~ 95% RH (non condensing)											
SAFETY	Withstand voltage	I/P-O/P:2.0KVAC, I/P-PE:1.5KVAC, O/P-PE:0.5KVAC, 1minute											
SAFETY	Isolation resistance	I/P-O/P, I/P-PE, O/P-PE > 100MΩ/500VDC at 25°C / 70% RH											
EMC	EMI	EN 55022 CLASS B · FCC CFR 47 PART 15 CLASS B · CNS 13438 CLASS B.											
EMC	EMS	EN 55024 : EN 61000-4-2,3,4,6,8 ; ENV 50204											
OTHERS	Cooling	Natural cooling, when output exceed 150W, a 18CFM(min) DC fan is required											
OTHERS	M.T.B.F.	_____ K hours at 25°C											
OTHERS	Dimension	198 x 97 x 38 mm (L*W*H)											
OTHERS	Packing	N.W.:0.9 Kg / 1pc; 18pcs / 1.38 CUFT / 1 CTN											

NOTE

① All measurements which not mentioned are based on 24VDC input, **output Max** at ambient 25°C / 70%RH.

② Output tolerance included set up voltage, line regulation and load regulation.
 The regulation is measured at the condition : when any of output is with 20% ~ 100% **max load** and the rest of each outputs are with 60% **max load**, Each output could work within **max load** but must under total **output max**.

③ Ripple & noise are measured at 21~72VDC input with 0~50°C condition and 20MHz of bandwidth by using a 10" ~ 15" twisted pair-wire terminated with a 0.1uF & a 47uF parallel capacitor.

④ The operating temperature shall follow the de-rating curve in spec

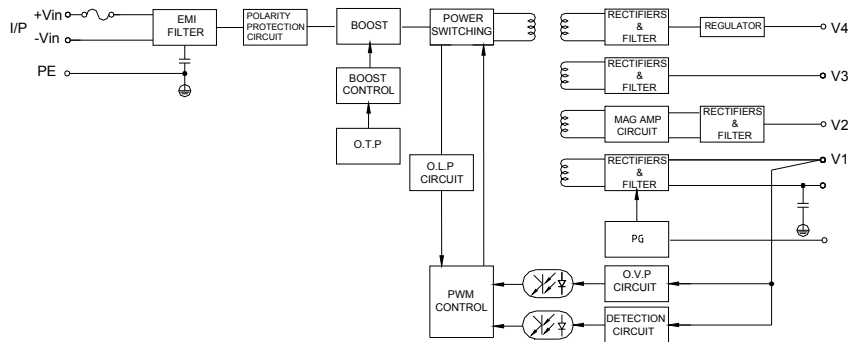
⑤ The power supply is considered a component of end-equipment. The end-equipment must be re-confirmed whether comply with EMC directives.



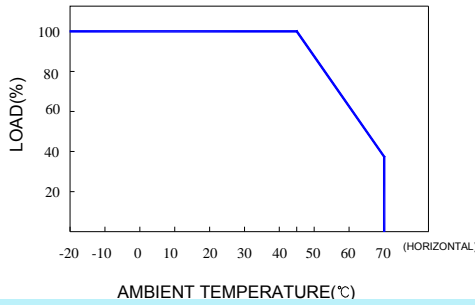
SUNPOWER TECHNOLOGY CORP.
 33485 Western Ave., Union City, CA 94587, United States of America
 TEL: (510) 489-5088 FAX: (510) 489-8966
 http://www.sunpower-usa.com
 E-mail: sales@sunpower-usa.com

SDU-200M-Qx Series

Block Diagram : DQ1

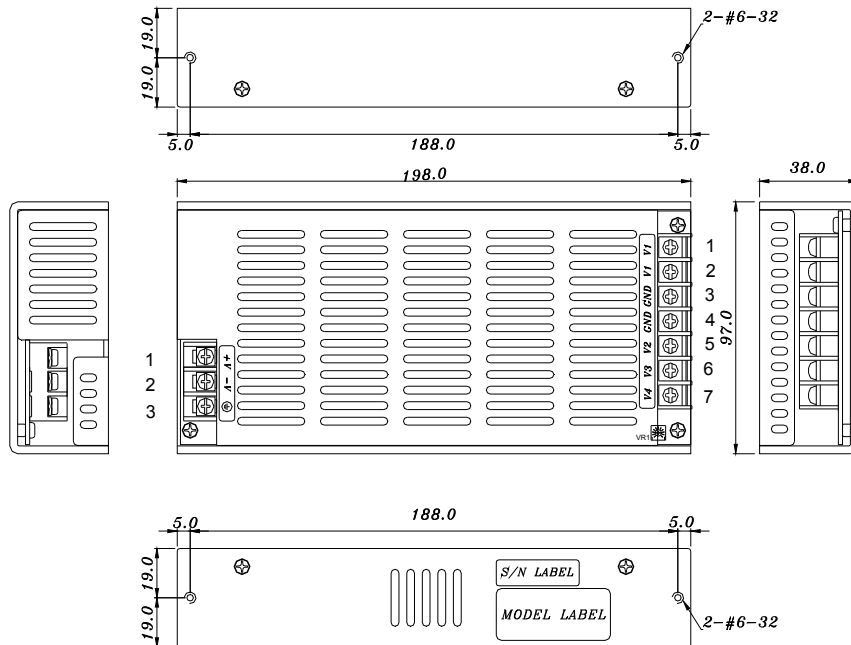


De-rating Curve :



Dimension:

(Unit: mm)



NOTES:

TERMINAL BLOCK: I/P:3P, P=9.5mm

MODEL No.	1	2	3
SDU-200M-Qx	+V	-V	PE

TERMINAL BLOCK: O/P:7P, P=9.5mm

MODEL No.	1	2	3	4	5	6	7
SDU-200M-Qx	V1	V1	GND	GND	V2	V3	V4