



SUNPOWER TECHNOLOGY CORP.
 33485 Western Ave., Union City, CA 94587, United States of America
 TEL: (510) 489-5088 FAX: (510) 489-8966
 http://www.sunpower-usa.com
 E-mail: sales@sunpower-usa.com

SPL-075-Q1

75W , Quad Output
 Open Frame Power supply
 For Industrial Compact



127 x 80 x 50 mm
 5.00 x 3.15 x 1.97 inch



Features:

- * Light weight, compact size
- * Built in EMI filter, low ripple noise
- * Over voltage, over load & short circuit protection
- * 100% full load burn-in test
- * UL, cUL, TUV, CB, CE standard
- * 2 years warranty

Specification:

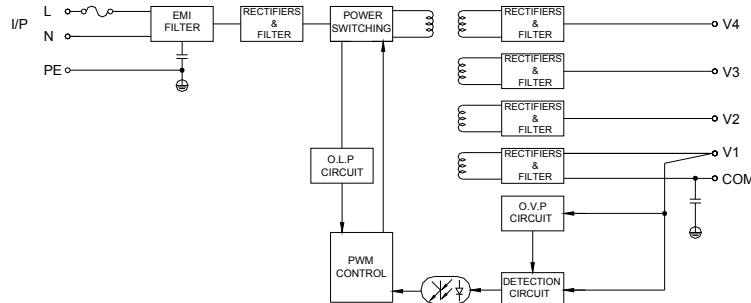
MODEL No.		SPL-075-Q1			
INPUT	Voltage	85V ~ 264VAC universal full range or 120V ~ 375VDC.			
	Frequency	47 ----- 63 Hz			
	Current	<1.9A @ 100V, full load condition			
	Inrush Current	<25A@115V , <50A@230V AC input, Cold start at 25°C ambient			
	Leakage Current	<1.5mA@264V AC input			
OUTPUT	Output	V1	V2	V3	V4
	Voltage	5V	12V	-12V	-5V
	Min Load	0.3A	0A	0A	0A
	Max Load	8A	2.5A	0.5A	0.5A
	Peak Load ⑥	8A	4A	0.5A	0.5A
	Output Tolerance ②	±5%	±5%	±5%	±5%
	Ripple Noise MAX. ③	70mV	120mV	200mV	100mV
	Efficiency (TYP.)	76%			
Output MAX.	75W				
PROTECTION	Over Voltage	5.8~7.0V	-----	-----	-----
	Over Load & Short Circuit	Hiccup and recovers automatically after the fault is removed. When power supply over 105%~ 150% max load or short circuit acted, power supply will go into hiccup mode and recover automatically after the fault is removed.			
ELEC. CHAR.	Rise time	<20mS			
	Hold up time	>80mS@230V			
ENVIRONMENT	Temperature ④	Operating: -10 ~ 70°C ; De-rating: 45 ~ 70°C : 2.5%/°C ; Storage: -20 ~ +85°C			
	Humidity	Operating: 20% ~ 90% RH (non condensing); Storage: 10% ~ 95% RH (non condensing)			
SAFETY	Withstand voltage	I/P-O/P:3KVAC, I/P-PE:1.5KVAC, O/P-PE: 0.5KVDC, 1minute			
	Isolation resistance	I/P-O/P, I/P-PE, O/P-PE > 100MΩ/500VDC at 25°C/ 70% RH			
	Safety standard	UL 60950-1 1 st , CSA C22.2 No. 60950-1- 03 1 st , TUV EN 60950-1:2001+A11, IEC 60950-1, standard			
EMC	EMI	EN 55022 CLASS B · FCC CFR 47 PART 15 CLASS B · CNS 13438 CLASS B. Compliance to EN61000-3-2 CLASS A, EN61000-3-3,			
	EMS	EN 55024 : EN 61000-4-2,3,4,5,6,8,11			
OTHERS	Cooling	Natural cooling			
	M.T.B.F.	270 K hours			
	Dimension	127 x 80 x 50 mm (L*W*H)			
	Packing	N.W.:0.45Kg / 1pc; 48pcs/ 1.44 CUFT / 1 CTN			
NOTE	① All measurements which not mentioned are based on 230VAC input, output Max at ambient 25°C / 70%RH				
	② Output tolerance included set up voltage, line regulation and load regulation. The regulation is measured at the condition : when any of outputs is with 20% ~ 100% max load and the rest of each outputs are with 60% max load , Each output could work within max load but must under total output max .				
	③ Ripple & noise are measured at 100~254VAC input with 0~50°C condition and 20MHz of bandwidth by using a 10" ~15" twisted pair-wire terminated with a 0.1uF & a 47uF parallel capacitor.				
	④ The operating temperature shall follow the de-rating curve in spec The output load may be requested for decreasing as de-rating curve in spec when low input voltage is under 100VAC..				
	⑤ The power supply is considered a component of end-equipment. The end-equipment must be re-confirmed whether comply with EMC directives.				
	⑥ 10% duty cycle maximum within every 30 seconds.				



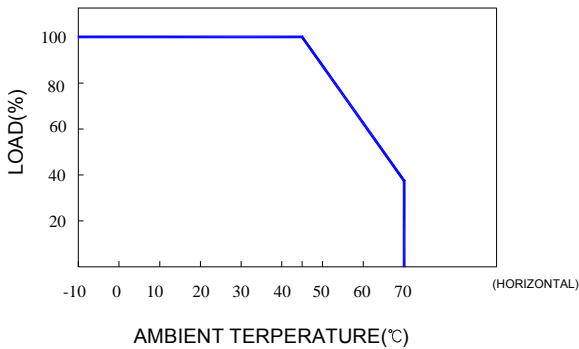
SUNPOWER TECHNOLOGY CORP.
 33485 Western Ave., Union City, CA 94587, United States of America
 TEL: (510) 489-5088 FAX: (510) 489-8966
 http://www.sunpower-usa.com
 E-mail: sales@sunpower-usa.com

SPL-075-Q1

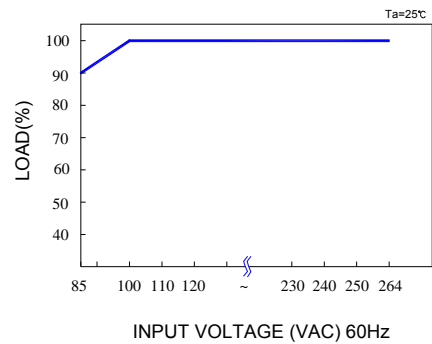
Block Diagram : UQ1-1



De-rating Curve :

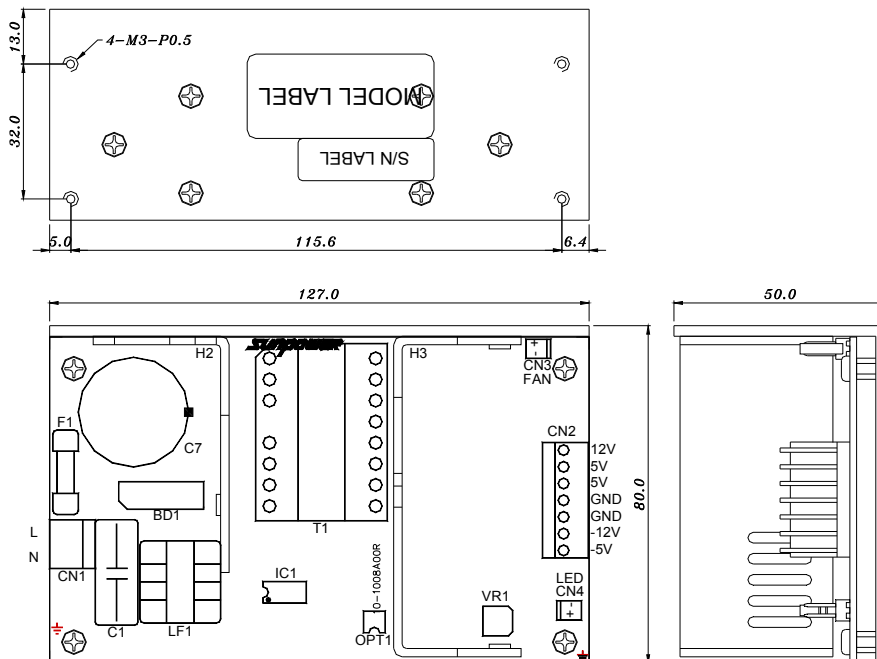


Output De-rating Vs Input Voltage :



Dimension:

(Unit: mm)



NOTES:

- THEADER : I/P: CN1, 3P P:3.96mm(P2 CUT), MOLEX 5277-02A or COMPATIBLE
- O/P: CN2, 7P P:3.96mm, MOLEX 5273-08A or COMPATIBLE
- FAN: CN3, 2P P2.54mm, MOLEX 5045-02A or COMPATIBLE
- LED: CN4, 2P P2.54mm, MOLEX 5045-02A or COMPATIBLE