



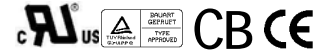
SUNPOWER TECHNOLOGY CORP.
 33485 Western Ave., Union City, CA 94587, United States of America
 TEL: (510) 489-5088 FAX: (510) 489-8966
 http://www.sunpower-usa.com
 E-mail: support@sunpower-usa.com

SPS-G150-xx Series

150W, Single Output
 Green mode function



198 x 95 x 38 mm
 7.80 x 3.74 x 1.50 inch



Features:

- * Green-mode design, no load < 1W
- * High efficiency and high reliability
- * AC input range selected by 115/230 SW.
- * Built in EMI filter, low ripple noise
- * Over voltage protection : Shutdown and latch off
- * Over load & short circuit protection : Hiccup mode
- * Output voltage $\pm 10\%$ adjustment
- * 100% full load burn-in test
- * $-20^{\circ}\text{C} \sim 70^{\circ}\text{C}$ Operating temperature
- * UL, cUL, TUV, CB, CE approved (pending)
- * 3 years warranty

Specification:

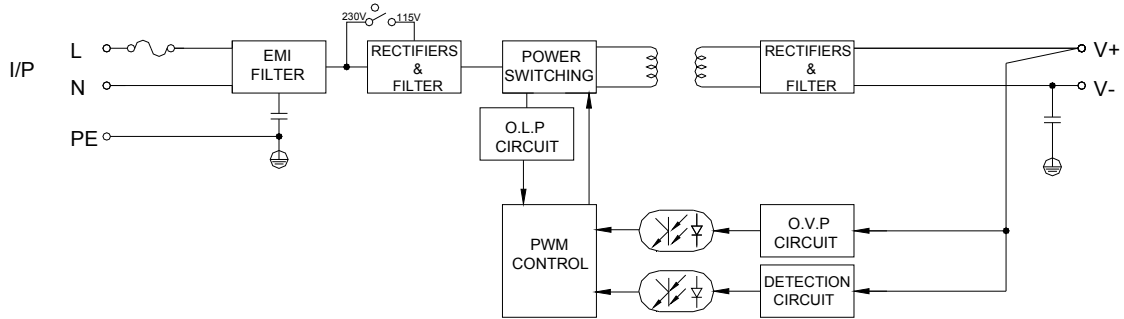
INPUT	Voltage ②	AC 88V ~ 132V or 176V ~ 264V selected by switch , DC 250V ~ 375V.					
	Frequency	47 ----- 63 Hz					
	Current	<3.2A@115V , <2A@230V AC input, full load condition					
	Inrush Current	<35A@115V , <70A@230V AC input, Cold start at 25°C ambient					
	Leakage Current	<1.0mA@264V AC input					
OUTPUT	MODEL No.	SPS-G150-05	SPS-G150-12	SPS-G150-15	SPS-G150-24	SPS-G150-30	SPS-G150-48
	Voltage	5V	12V	15V	24V	30V	48V
	Min Load	0A	0A	0A	0A	0A	0A
	Max Load	26A	12.5A	10A	6.5A	5.2A	3.3A
	Output Tolerance ③	$\pm 2\%$	$\pm 1\%$	$\pm 1\%$	$\pm 1\%$	$\pm 1\%$	$\pm 1\%$
	Ripple Noise MAX. ④	70mV	120mV	150mV	150mV	200mV	200mV
	Efficiency (TYP.)	78%	83%	84%	86%	86%	87%
PROTECTION	Output MAX.	130W	150W	150W	156W	156W	158W
	Over Voltage	5.8~7.0V	13.8~16.8V	17.3~21.0V	27.6~33.6V	34.5~42.0V	55.2~67.2V
ELEC. CHAR.	Over Load & Short Circuit	Shutdown and latch off, recover after re-start up.					
	Rise time	<30mS					
	Hold up time	>20mS@230V, full load condition					
ENVIRONMENT	Setup time	<1.5 S@115V , <1 S@230V					
	Green mode function	Power consumption at no load < 1W at 240VAC input					
SAFETY	Temperature ⑤	Operating: $-20 \sim +70^{\circ}\text{C}$; De-rating: $40 \sim 70^{\circ}\text{C}$: 2.0%/°C ; Storage: $-40 \sim +85^{\circ}\text{C}$					
	Humidity	Operating: 20% ~ 90% RH (non condensing) ; Storage: 10% ~ 95% RH (non condensing)					
	Withstand voltage	I/P-O/P:3KVAC, I/P-PE:1.5KVAC, O/P-PE:0.5KVAC, 1minute					
EMC	Isolation resistance	I/P-O/P, I/P-PE, O/P-PE > 100MΩ/500VDC at 25°C/ 70% RH					
	Safety standard	UL 60950-1 2 nd , CSA C22.2 No. 60950-1-07 1 st , TUV EN 60950-1:2006, IEC 60950-1:2005, approved.					
OTHERS	EMI	EN 55022 CLASS B, FCC CFR 47 PART 15 CLASS B, CNS 13438 CLASS B.					
	EMS	Compliance to EN61000-3-2 CLASS A, EN61000-3-3					
	Cooling	EN 55024 : EN 61000-4-2,3,4,5,6,8,11					
NOTE	M.T.B.F.	Natural cooling.					
	Terminal pitch	256K hours					
	Packing	7P / 9.5mm with plastic cover, 90 deg terminal optional (with MOQ)					
① All measurements which not mentioned are based on 230VAC input, output Max at ambient 25°C / 70%RH ② If the input voltage is DC 250~375V, the AC slide switch must stay at 230V range. ③ Output tolerance included set up voltage, line regulation and load regulation. ④ Ripple & noise are measured at 115/230VAC input with 0~50°C condition and 20MHz of bandwidth by using a 10" ~ 15" twisted pair-wire terminated with a 0.1uF & a 47uF parallel capacitor. ⑤ The operating temperature shall follow the de-rating curve in spec ⑥ The power supply is considered a component of end-equipment. The end-equipment must be re-confirmed whether comply with EMC directives.							



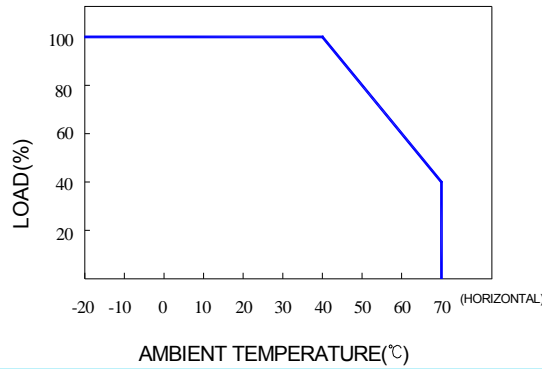
SUNPOWER TECHNOLOGY CORP.
 33485 Western Ave., Union City, CA 94587, United States of America
 TEL:(510) 489-5088 FAX:(510) 489-8966
 http://www.sunpower-usa.com
 E-mail: support@sunpower-usa.com

SPS-G150-xx Series

Block Diagram : SS1

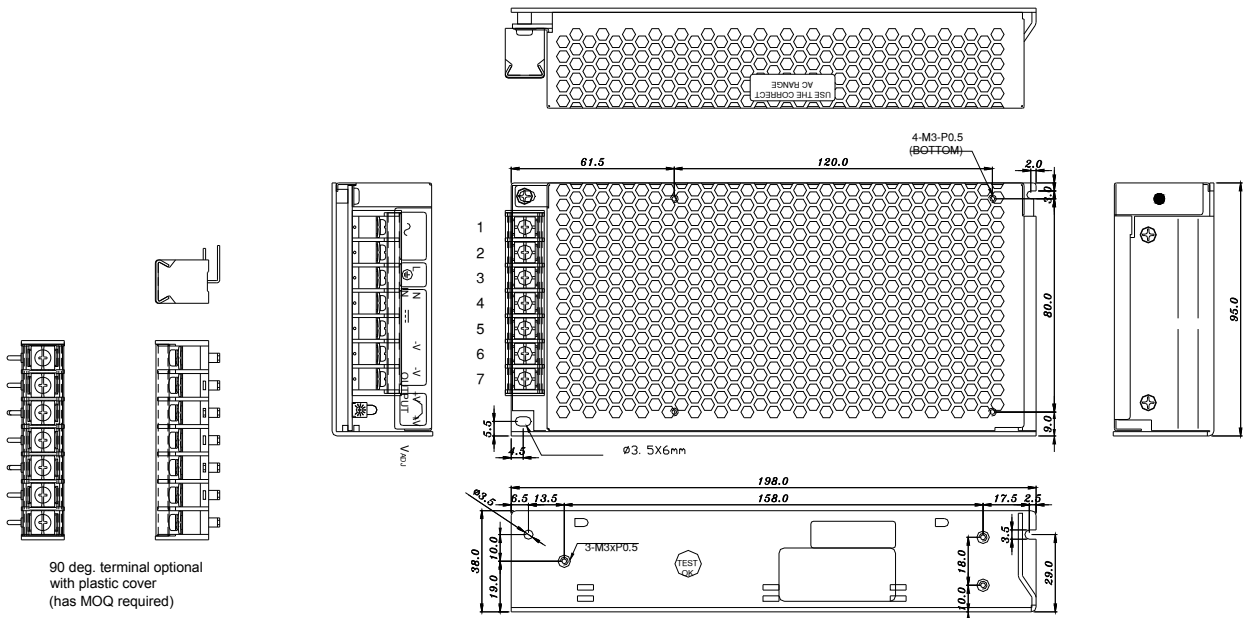


De-rating Curve :



Dimension:

(Unit: mm)



Terminal Pin. No Assignment: 7P / 9.5mm with plastic cover

Pin No.	Assignment	Pin No.	Assignment
1	AC/L	5	DC OUTPUT -V
2	AC/N	6	DC OUTPUT +V
3	PE	7	DC OUTPUT +V
4	DC OUTPUT -V		