



SUNPOWER TECHNOLOGY CORP.  
 33485 Western Ave., Union City, CA 94587, United States of America  
 TEL: (510) 489-5088 FAX: (510) 489-8966  
 http://www.sunpower-usa.com  
 E-mail: sales@sunpower-usa.com

# SPS-G075-IDx Series

## Dual Output



129 x 95 x 38 mm  
 5.08 x 3.74 x 1.50 inch

### Features:

- \* V1 & V2 output are isolated
- \* Power ON with LED indicator
- \* Built in EMI filter, low ripple noise
- \* Over voltage protection : Shutdown and latch off
- \* Over load & short circuit protection : Hiccup mode
- \* 100% full load burn-in test
- \* -20°C~70°C Operating temperature
- \* UL, cUL, TUV, CB, CE approved
- \* 3 years warranty

### Specification:

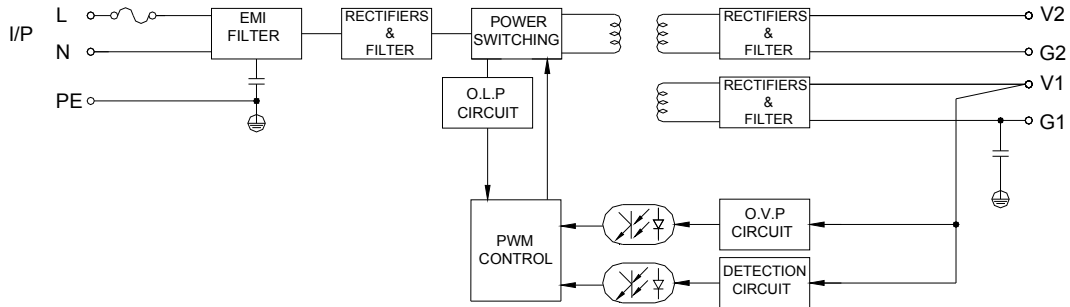
INPUT	<b>Voltage</b>	88V ~ 264VAC universal full range or 125V ~ 375VDC.			
	<b>Frequency</b>	47 ---- 63 Hz			
	<b>Current</b>	<1.8A@100V AC input, full load condition			
	<b>Inrush Current</b>	<30A@115V , <50A@230V AC input, Cold start at 25°C ambient			
	<b>Leakage Current</b>	<0.75mA@264V AC input			
OUTPUT	<b>MODEL No.</b>	SPS-G075-ID1		SPS-G075-ID2	
	<b>Output</b>	V1	V2	V1	V2
	<b>Voltage</b>	5V	12V	5V	24V
	<b>Min Load</b>	0.3A	0.2A	0.3A	0.2A
	<b>Max Load</b>	8A	5A	8A	2.5A
	<b>Output Tolerance</b> ②	± 3%	± 8%	± 3%	± 8%
	<b>Ripple Noise MAX.</b> ③	70mV	120mV	70mV	200mV
	<b>Efficiency (TYP.)</b>	78%		79%	
<b>Output MAX.</b>	68W		68W		
PROTECTION	<b>Over Voltage</b>	V1 : 5.8 ~ 7.0V ; Shutdown and latch off, recover after re-start up.			
	<b>Over Load &amp; Short Circuit</b>	When power supply over 105%~ 150% max load or short circuit acted, power supply will go into hiccup mode and recover automatically after the fault is removed.			
ELEC. CHAR.	<b>Rise time</b>	<30mS			
	<b>Hold up time</b>	>60mS@230V, full load condition			
	<b>Setup time</b>	<1 Sec@100 ~ 240V AC			
ENVIRONMENT	<b>Temperature</b> ④	Operating: -20 ~ +70°C ; De-rating: 45 ~ 70°C: 2.5%/°C ; Storage: -40 ~ +85°C			
	<b>Humidity</b>	Operating: 20% ~ 90% RH (non condensing) ; Storage: 10% ~ 95% RH (non condensing)			
SAFETY	<b>Withstand voltage</b>	I/P-O/P:3KVAC, I/P-PE:1.5KVAC, O/P-PE:0.5KVAC, 1minute			
	<b>Isolation resistance</b>	I/P-O/P, I/P-PE, O/P-PE > 100MΩ/500VDC at 25°C/ 70% RH			
	<b>Safety standard</b>	UL 60950-1 2 <sup>nd</sup> , CSA C22.2 No. 60950-1- 07 1 <sup>st</sup> , TUV EN 60950-1:2006, IEC 60950-1:2005, approved.			
EMC	<b>EMI</b>	EN 55022 CLASS B, FCC CFR 47 PART 15 CLASS B, CNS 13438 CLASS B. Compliance to EN61000-3-2 CLASS A, EN61000-3-3			
	<b>EMS</b>	EN 55024 : EN 61000-4-2,3,4,5,6,8,11			
OTHERS	<b>Cooling</b>	Natural cooling.			
	<b>M.T.B.F.</b>	299K hours			
	<b>Terminal pitch</b>	7P / 9.5mm with plastic cover, 90 deg terminal optional (with MOQ)			
	<b>Packing</b>	N.W.: 0.46Kg / pc ; 30pcs / 1.20 CUFT / 1 CTN			
NOTE	①	All measurements which not mentioned are based on 230VAC input, <b>output Max</b> at ambient 25°C / 70%RH			
	②	Output tolerance included set up voltage, line regulation and load regulation. The regulation is measured between 20%-100% <b>max load</b> of each output, Total output must under <b>output Max</b> .			
	③	Ripple & noise are measured at 100~254VAC input with 0~50°C condition and 20MHz of bandwidth by using a 10" ~ 15" twisted pair-wire terminated with a 0.1uF & a 47uF parallel capacitor.			
	④	The operating temperature shall follow the de-rating curve in spec The output load may be requested for decreasing as de-rating curve in spec when low input voltage is under 100VAC.			
	⑤	The power supply is considered a component of end-equipment. The end-equipment must be re-confirmed whether comply with EMC directives.			



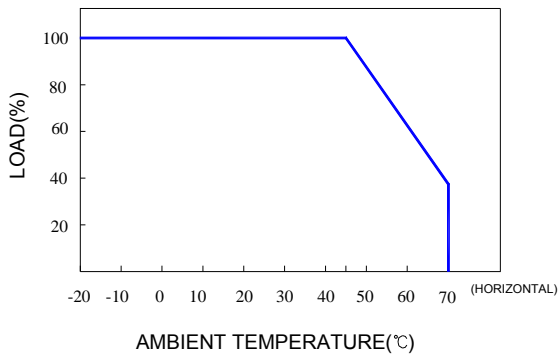
**SUNPOWER TECHNOLOGY CORP.**  
 33485 Western Ave., Union City, CA 94587, United States of America  
 TEL: (510) 489-5088 FAX: (510) 489-8966  
 http://www.sunpower-usa.com  
 E-mail: sales@sunpower-usa.com

# SPS-G075-IDx Series

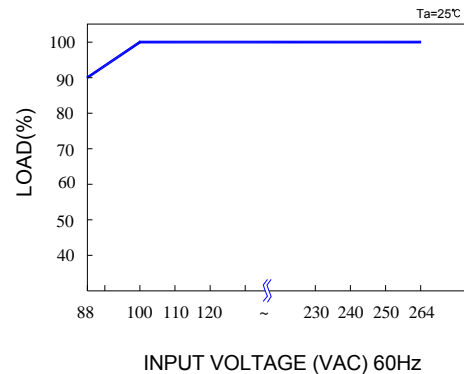
## Block Diagram : UD4



## De-rating Curve :

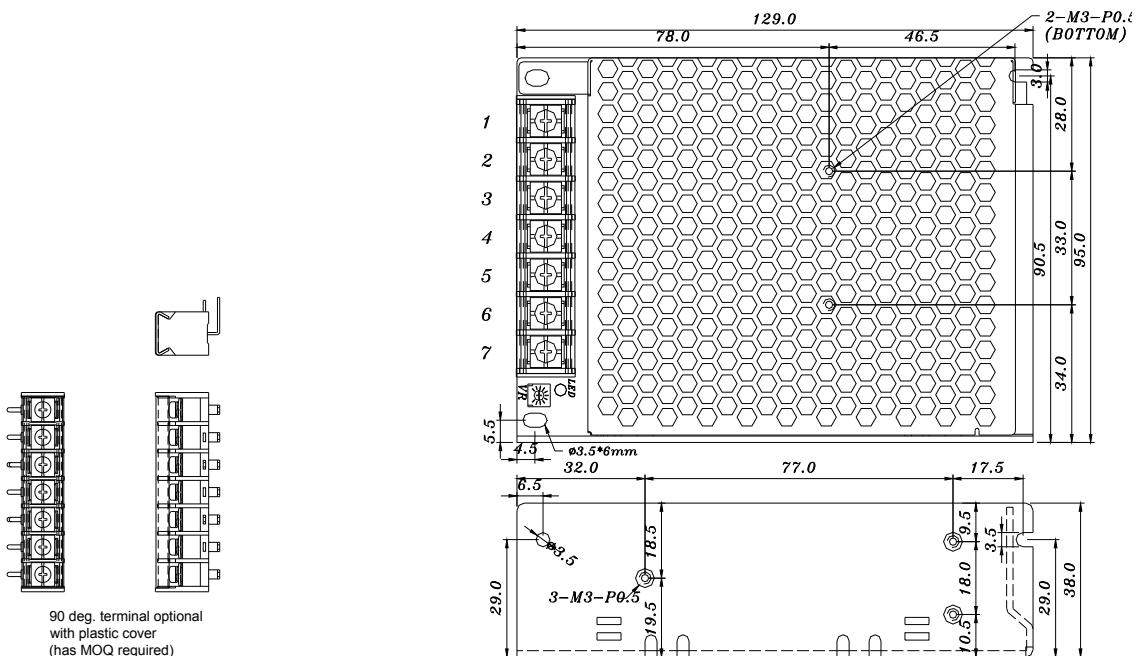


## Output De-rating Vs Input Voltage :



## Dimension:

(Unit: mm)



Terminal Pin. No Assignment :

7P, PITCH 9.5mm WITH PC COVER							
MODEL No.	1	2	3	4	5	6	7
SPS-G075-IDx	L	N	PE	V2	G2	G1	V1