



SUNPOWER TECHNOLOGY CORP.
 33485 Western Ave., Union City, CA 94587, United States of California
 TEL: (510) 489-5088 FAX: (510) 489-8966
 http://www.sunpower-usa.com
 E-mail: sales@sunpower-usa.com

SPU-150P-xx Series

150W, Single Output
 U Bracket Power Supply
 Active P.F.C Function



133.5 x 84 x 38 mm
 5.26 x 3.30 x 1.50 inch



Features:

- * Universal AC input with active PFC circuit, P.F.>0.95
- * Power ON with LED indicator
- * Built-in EMI filter, low ripple noise
- * Over voltage protection
- * Over load & short circuit protection
- * Output voltage $\pm 10\%$ adjustment
- * Output voltage remote sense
- * Built-in cooling DC Fan 12V base
- * 100% full load burn-in test
- * UL, cUL, TUV, CB, CE standard
- * 2 years warranty

Specification:

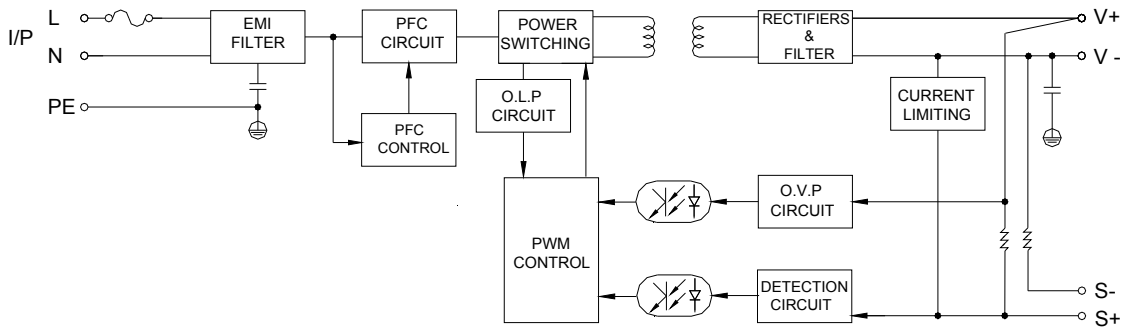
INPUT	Voltage	88V ~ 264VAC universal full range or 125V ~ 375VDC.					
	Frequency	47 ---- 63 Hz					
	Current	<2.3A @100V AC input, full load condition					
	Inrush Current	<35A@115V , <70A@230V AC input. Cold start at 25°C ambient					
	Leakage Current	<1.0mA@264V AC input					
	Power Factor	PF > 0.95					
OUTPUT	MODEL No.	SPU-150P-05	SPU-150P-7.5	SPU-150P-12	SPU-150P-15	SPU-150P-24	SPU-150P-48
	Voltage	5V	7.5V	12V	15V	24V	48V
	Min Load	0A	0A	0A	0A	0A	0A
	Max Load	30A	20A	12.5A	10A	6.5A	3.3A
	Output Tolerance ②	$\pm 2\%$	$\pm 1\%$	$\pm 1\%$	$\pm 1\%$	$\pm 1\%$	$\pm 1\%$
	Ripple Noise MAX. ③	70mV	80mV	120mV	150mV	200mV	250mV
	Efficiency (TYP.)	77%	80%	82%	82%	84%	86%
	Output MAX.	150W	150W	150W	150W	156W	158W
PROTECTION	Over Voltage	5.8~7.0V	8.6~10.5V	13.8~16.8V	17.3~21.0V	27.6~33.6V	55.2~67.2V
	Over Load & Short Circuit	Shutdown and latch off, recover after re-start up. When power supply over 105%~ 150 max load or short circuit acted, power supply will be shutdown and recover automatically after the fault is removed.					
ELEC. CHAR.	Rise time	<20mS					
	Hold up time	>20mS@230V, full load condition					
	Setup time	<2.0S@100 ~ 240V AC					
	Remote sensing	(RS+, RS-).					
ENVIRONMENT	Temperature ④	Operating: -20 ~ +70°C ; De-rating: 45 ~ 70°C : 2.5%/°C ; Storage: -40 ~ +85°C					
	Humidity	Operating: 20% ~ 90% RH (non condensing) ; Storage: 10% ~ 95% RH (non condensing)					
SAFETY	Withstand voltage	I/P-O/P:3KVAC, I/P-PE:1.5KVAC, O/P-PE:0.5KVAC, 1minute					
	Isolation resistance	I/P-O/P, I/P-PE, O/P-PE > 100MΩ/500VDC at 25°C / 70% RH					
	Safety standard	UL 60950-1 2 nd , CSA C22.2 No. 60950-1- 07 1 st , TUV EN 60950-1:2006, IEC 60950-1:2005, standard.					
EMC	EMI	EN 55022 CLASS B · FCC CFR 47 PART 15 CLASS B · CNS 13438 CLASS B.					
	EMS	Compliance to EN61000-3-2 CLASS D, EN61000-3-3					
OTHERS	EMS	EN 55024 : EN 61000-4-2,3,4,5,6,8,11					
	Cooling	Natural cooling, When output exceed 120W, a 16 CFM (min) fan is required.					
	M.T.B.F.	___ K hours					
	Dimension	133.5 x 84 x 38 mm (L*W*H)					
NOTE	Packing	N.W.: ___ Kg / 1pc; 18 pcs / 1.38 CUFT / 1 CTN					
		① All measurements which not mentioned are based on 230VAC input, output Max at ambient 25°C / 70%RH ② Output tolerance included set up voltage, line regulation and load regulation. ③ Ripple & noise are measured at 100~254VAC input with 10~50°C condition and 20MHz of bandwidth by using a 10" ~ 15" twisted pair-wire terminated with a 0.1uF & a 47uF parallel capacitor. ④ The operating temperature shall follow the de-rating curve in spec The output load may be requested for decreasing as de-rating curve in spec when low input voltage is under 100VAC. ⑤ The power supply is considered a component of end-equipment. The end-equipment must be re-confirmed whether comply with EMC directives.					



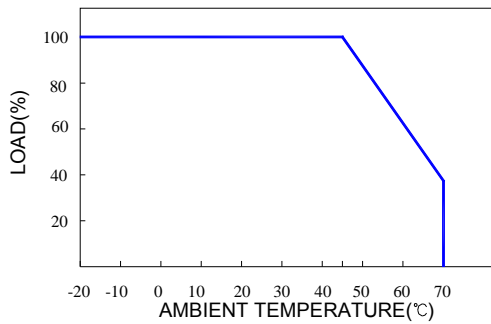
SUNPOWER TECHNOLOGY CORP.
 33485 Western Ave., Union City, CA 94587, United States of America
 TEL: (510) 489-5088 FAX: (510) 489-8966
 http://www.sunpower-usa.com
 E-mail: sales@sunpower-usa.com

SPU-150P-xx Series

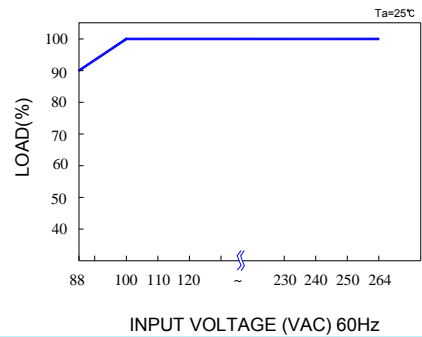
Block Diagram : PS3



De-rating Curve :



Output De-rating Vs Input Voltage :



Dimension:

(Unit: mm)

NOTES:

TERMINAL BLOCK: I/P:3P P=3.96mm(Pin 2 CUT)

MODEL No.	1	2	3
SPU-150P-xx	L	N/A	N

TERMINAL BLOCK: O/P:10P, P=3.96mm

MODEL No.	1	2	3	4	5	6	7	8	9	10
SPU-150P-xx	V1	V1	V1	V1	V1	GND	GND	GND	GND	GND