



SUNPOWER TECHNOLOGY CORP.
 33485 Western Ave., Union City, CA 94587, United States of American
 TEL: (510) 489-5088 FAX: (510) 489-8966
 http://www.sunpower-usa.com
 E-mail: sales@sunpower-usa.com

SPU-100-Qx Series

100W, Quad Output



133.5 x 84 x 38 mm
 5.26 x 3.30 x 1.50 inch



Features:

- * Universal AC input with active power factor correction, P.F.>0.95
- * Built-in EMI filter, low ripple noise
- * Over voltage protection
- * Over load & short circuit protection
- * 100% full load burn-in test
- * Built-in cooling DC Fan 12V base
- * UL, cUL, TUV, CB, CE standard
- * 2 years warranty

Specification:

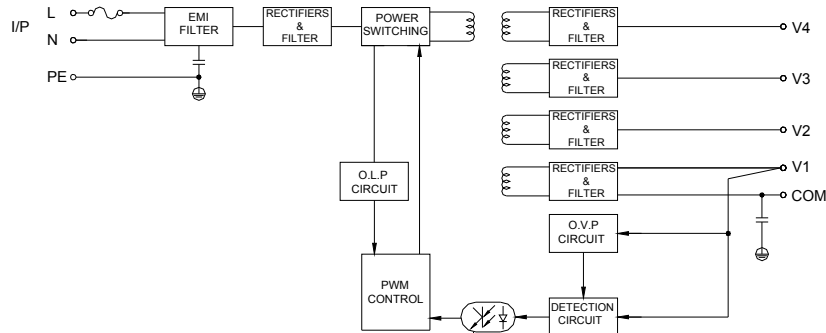
INPUT	Voltage	90V ~ 264VAC universal full range or 127V ~ 375VDC.			
	Frequency	47 ----- 63 Hz			
	Current	<3.0A@100VAC input, full load condition			
	Inrush Current	<30A@115V , <60A@230V AC input. Cold start at 25°C ambient			
	Leakage Current	<1.0mA@264V AC input			
OUTPUT	MODEL No.	SPU-100-Q1			
	Voltage	V1	V2	V3	V4
		5V	12V	-5V	-12V
	Min Load	1A	0A	0A	0A
	Max Load	15A	6A	1A	1A
	Output Tolerance ②	±5%	±6%	±10%	±10%
	Ripple Noise MAX. ③	70mV	100mV	150mV	240mV
	Efficiency (TYP.)	72%			
Output MAX.	100W				
Note	* SPU-100-TxA is with V3, TxB is with V4				
PROTECTION	Over Voltage	5.8 ~ 7.0V	13.8 ~ 16.8V	---	---
	Over Load & Short Circuit	Hiccup and recovers automatically after the fault is removed. When power supply over 105%~ 180% max load or short circuit acted, power supply will go into hiccup mode and recover automatically after the fault is removed.			
ELEC. CHAR.	Rise time	<20mS			
	Hold up time	>80mS@230V			
	Setup time	<1.5 S@115V , <1.0 S@230V			
ENVIRONMENT	Temperature ④	Operating: 0 ~ +70°C ; De-rating: 45 ~ 70°C : 2.5%/°C ; Storage: -10 ~ +75°C			
	Humidity	Operating: 20% ~ 90% RH (non condensing) ; Storage: 10% ~ 95% RH (non condensing)			
SAFETY	Withstand voltage	I/P-O/P:3KVAC, I/P-PE:1.5KVAC, O/P-PE:0.5KVDC, 1minute			
	Isolation resistance	I/P-O/P, I/P-PE, O/P-PE >100MΩ/500VDC at 25°C / 70% RH			
	Safety standard	UL 60950-1 1 st , CSA C22.2 No. 60950-1- 03 1 st , TUV EN 60950-1:2001+A11, IEC 60950-1, standard.			
EMC	EMI	EN 55022 CLASS B · FCC CFR 47 PART 15 CLASS B · CNS 13438 CLASS B.			
	EMS	Compliance to EN61000-3-2 CLASS A, EN61000-3-3 EN 55024 : EN 61000-4-2,3,4,5,6,8,11			
OTHERS	Cooling	Natural cooling, when output exceed 80W, a 16 CFM(min) DC fan is required			
	M.T.B.F.	260 K hours			
	Dimension	133.5 x 84 x 38 mm (L*W*H)			
	Packing	N.W.:0.49 Kg / 1pc; 30 pcs / 1.24 CUFT / 1 CTN			
NOTE	① All measurements which not mentioned are based on 230VAC input, output max at ambient 25°C / 70%RH ② Output tolerance included set up voltage, line regulation and load regulation. The regulation is measured at the condition : when any of output is with 20% ~ 100% max load and the rest of each outputs are with 60% max load , Each output could work within max load but must under total output max . ③ Ripple & noise are measured at 100~254VAC input with 0~50°C condition and 20MHz of bandwidth by using a 10" ~ 15" twisted pair-wire terminated with a 0.1uF & a 47uF parallel capacitor. ④ The operating temperature shall follow the de-rating curve in spec The output load may be requested for decreasing as de-rating curve in spec when low input voltage is under 100VAC ⑤ The power supply is considered a component of end-equipment. The end-equipment must be re-confirmed whether comply with EMC directives.				



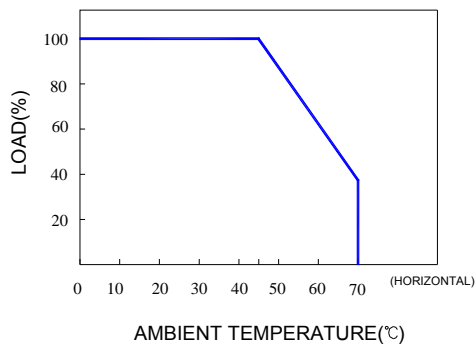
SUNPOWER TECHNOLOGY CORP.
 33485 Western Ave., Union City, CA 94587, United States of America
 TEL: (510) 489-5088 FAX: (510) 489-8966
 http://www.sunpower-usa.com
 E-mail: sales@sunpower-usa.com

SPU-100-Qx Series

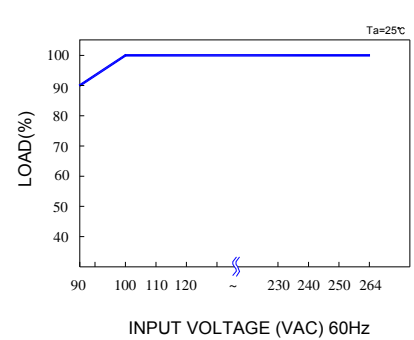
Block Diagram : UQ1-1



De-rating Curve :

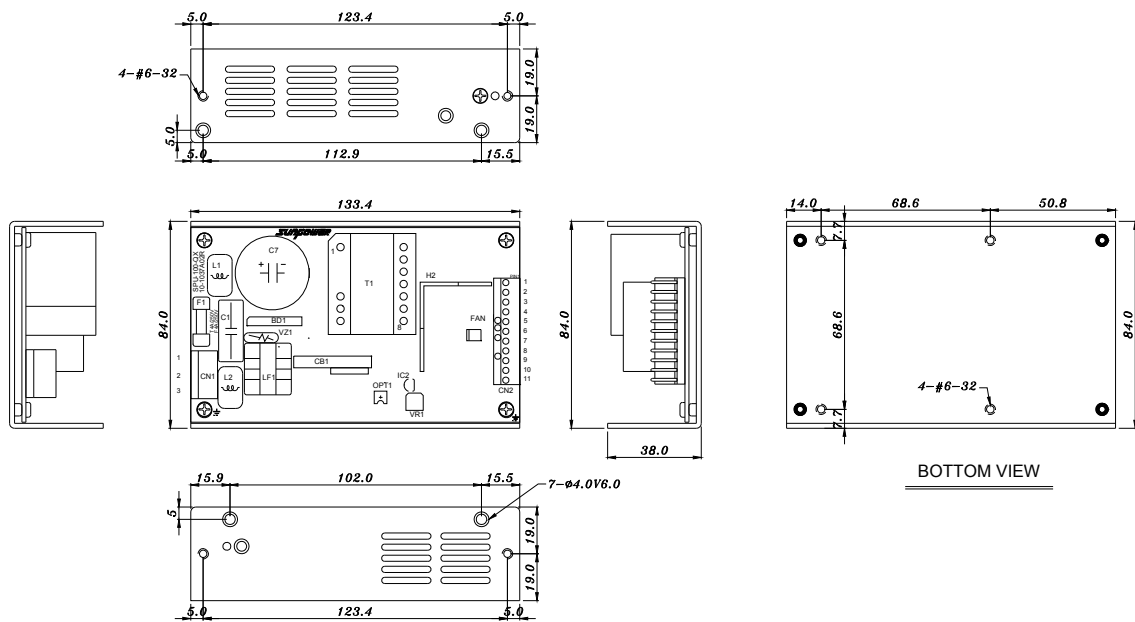


Output De-rating Vs Input Voltage :



Dimension:

(Unit: mm)



NOTES:

TERMINAL BLOCK: I/P:3P P=3.96mm(Pin 2 CUT)

MODEL No.	1	2	3
SPU-100-Qx	L	N	PE

TERMINAL BLOCK: O/P:11P, P=3.96mm

MODEL No.	1	2	3	4	5	6	7	8	9	10	11
SPU-100-Qx	V1	V1	V1	GND	GND	GND	GND	V2	V2	V4	V3