



SUNPOWER TECHNOLOGY CORP.
 33485 Western Ave., Union City, CA 94587, United States of America
 TEL: (510) 489-5088 FAX: (510)-489-8966
 http://www.sunpower-usa.com
 E-mail: sales@sunpower-usa.com

SPU-300P-xx Series

300W, Single Output

Active P.F.C Function



203 x 114 x 50.5 mm
 7.99 x 4.49 x 1.99 inch



Features:

- * Universal AC input with active power factor correction, P.F.>0.95
- * Power ON with LED indicator
- * Built-in EMI filter, low ripple noise
- * Over voltage protection
- * Over load & short circuit protection
- * Over temperature protection (Optional)
- * Output voltage $\pm 10\%$ adjustment
- * Output voltage remote sense
- * Remote control ON/OFF (Optional)
- * 100% full load burn-in test
- * $-20^{\circ}\text{C} \sim 70^{\circ}\text{C}$ Operating temperature
- * UL, cUL, TUV, CB, CE standard
- * 2 years warranty

Specification:

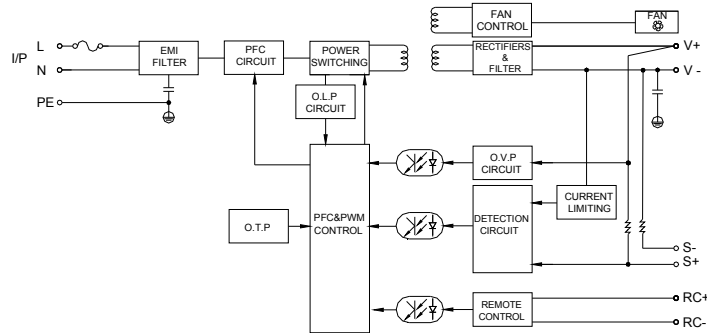
INPUT	Voltage	90V ~ 264VAC universal full range or 127V ~ 375VDC				
	Frequency	47 ~ 63 Hz				
	Current	<4.2A@100VAC input, full load condition				
	Inrush Current	<35A@115V , <70A@230V AC input. Cold start at 25°C ambient				
	Leakage Current	<1.0mA@264V AC input				
	Power Factor	PF > 0.95				
OUTPUT	MODEL No.	SPU-300P-05	SPU-300P-12	SPU-300P-24	SPU-300P-36	SPU-300P-48
	Voltage	5V	12V	24V	36V	48V
	Min Load	0A	0A	0A	0A	0A
	Max Load	55A	25A	12.5A	8.4A	6.3A
	Output Tolerance ②	$\pm 2\%$	$\pm 1\%$	$\pm 1\%$	$\pm 1\%$	$\pm 1\%$
	Ripple Noise MAX. ③	70mV	120mV	150mV	240mV	250mV
	Efficiency (TYP.)	79%	84%	86%	86%	87%
Output MAX.	275W	300W	300W	302W	302W	
PROTECTION	Over Voltage	5.8~7.0V	13.8~16.8V	27.6~33.6V	41.4 ~ 50.4V	55.2~67.2V
		Shutdown and latch off, recover after re-start up.				
	Over Load & Short Circuit	When power supply over 105%~ 150% max load or short circuit acted, power supply will be shutdown and recover automatically after the fault is removed.				
	Over Temperature	Optional, Over 95°C $\pm 5^{\circ}\text{C}$ Shutdown, recovers automatically after fault condition has been removed.				
ELEC. CHAR.	Rise time	<30mS				
	Hold up time	>20mS@230V, full load condition				
	Setup time	<2 Sec@100 ~ 240V AC				
	Remote sensing	(RS+, RS-).				
ENVIRONMENT	Remote Control	Option. RC+/RC-: 0~0.7V= Power On; 3~5V= Power Off. Sink Current: 3~10 mA				
	Temperature ④	Operating: $-20 \sim +70^{\circ}\text{C}$; De-rating: $45 \sim 70^{\circ}\text{C}$: 2.5%/°C; Storage: $-40 \sim +85^{\circ}\text{C}$				
	Humidity	Operating: 20% ~ 90% RH (non condensing); Storage: 10% ~ 95% RH (non condensing)				
SAFETY	Withstand voltage	I/P-O/P:3KVAC, I/P-PE:1.5KVAC, O/P-PE:0.5KVAC, 1minute				
	Isolation resistance	I/P-O/P, I/P-PE, O/P-PE >100M Ω /500VDC at 25°C / 70% RH				
	Safety standard	UL 60950-1 2 nd , CSA C22.2 No. 60950-1- 07 1 st , TUV EN 60950-1:2006, IEC 60950-1:2005, standard.				
EMC	EMI	EN 55022 CLASS B、FCC CFR 47 PART 15 CLASS B、CNS 13438 CLASS B.				
	EMS	Compliance to EN61000-3-2 CLASS D, EN61000-3-3 EN 55024 : EN 61000-4-2,3,4,5,6,8,11				
OTHERS	Cooling	Forced airflow cooling with DC fan.				
	M.T.B.F.	___ K hours				
	Dimension	203*114*50.5 mm (L*W*H)				
	Packing	N.W.: ___ Kg / 1pc; 12pcs / 1.38 CUFT / 1 CTN				
NOTE	① All measurements which not mentioned are based on 230VAC input, output Max at ambient 25°C / 70%RH					
	② Output tolerance included set up voltage, line regulation and load regulation.					
	③ Ripple & noise are measured at 100~254VAC input with 0~50°C condition and 20MHz of bandwidth by using a 10" ~15" twisted pair-wire terminated with a 0.1uF & a 47uF parallel capacitor.					
	④ The operating temperature shall follow the de-rating curve in spec The output load may be requested for decreasing as de-rating curve in spec when low input voltage is under 100VAC..					
	⑤ The power supply is considered a component of end-equipment. The end-equipment must be re-confirmed whether comply with EMC directives.					



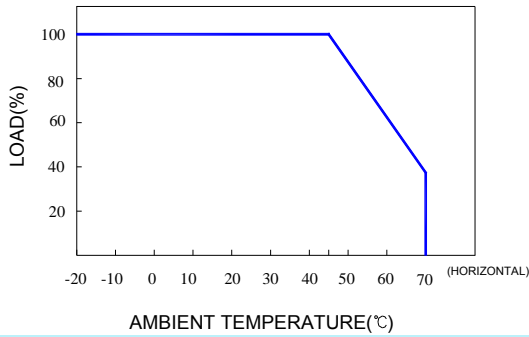
SUNPOWER TECHNOLOGY CORP.
 33485 Western Ave., Union City, CA 94587, United States of America
 TEL: (510) 489-5088 FAX: (510)-489-8966
 http://www.sunpower-usa.com
 E-mail: sales@sunpower-usa.com

SPU-300P-xx Series

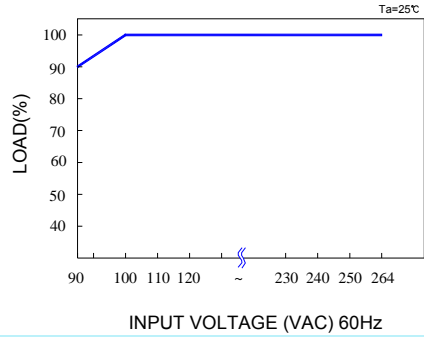
Block Diagram : PS7



De-rating Curve :

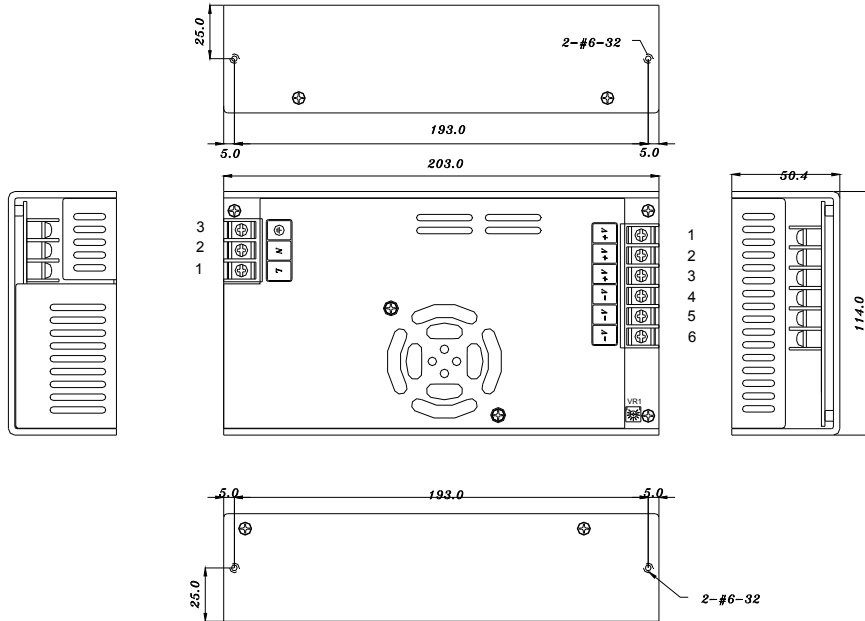


Output De-rating Vs Input Voltage :



Dimension:

(Unit: mm)



NOTES:

TERMINAL BLOCK: I/P:3P, P=9.5mm

MODEL No.	1	2	3
SPU-300P-xx	L	N	PE

TERMINAL BLOCK: O/P:6P, P=9.5mm

MODEL No.	1	2	3	4	5	6
SPU-300P-xx	+V	+V	+V	-V	-V	-V